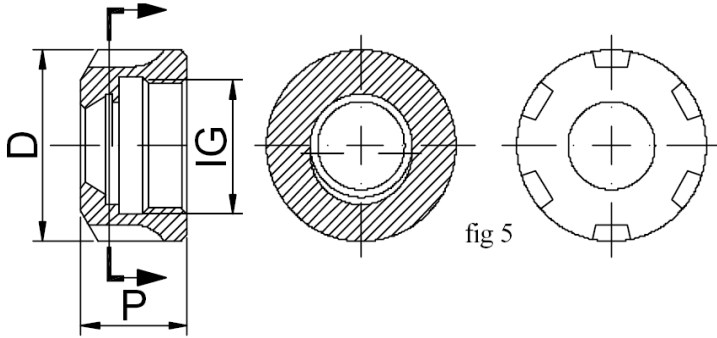




NOTE					
GST	ghiera con eccentrico	nut with eccentric ring	Spannmutter mit Exezenterring	ecrou avec excentrique	tuerca con excentrico
WGST	ghiera senza eccentrico	nut without eccentric ring	Spannmutter ohne Exezenterring	ecrou sans excentrique	tuerca sin excentrico
Blg	equilibratura	balancing	Auswuchtung	equilibrage	equilibrio
IG	filetto interno	internal thread	InnenGewinde	filet interieur	rosca interior
CST	chiave per ghiera	wrenches for nuts	Spannschlüsseln für Spannmutter	clés pour écrous	Llaves para tuercas



GST DIN 6499/D
"STANDARD "

GST UNIVERSALLY	code		fig.	D mm	P mm	IG mm	ERT DIN 6499/B	CST page 52
	standard	Blg						
GST 16	291.15.2624	292.15.2624	5	32	17.5	M22 x 1.5	ERT 16	CST 16
GST 20	291.15.2626	292.15.2626	5	35	19	M25 x 1.5	ERT 20	CST 20
GST 25	291.15.2628	292.15.2628	5	42	20	M32 x 1.5	ERT 25	CST 25
GST 32	291.15.2630	292.15.2630	5	50	22.5	M40 x 1.5	ERT 32	CST 32
GST 40	291.15.2632	292.15.2632	5	63	25.5	M50 x 1.5	ERT 40	CST 40
GST 50	291.15.2634	292.15.2634	5	78	35.3	M64 x 2	ERT 50	CST 50