

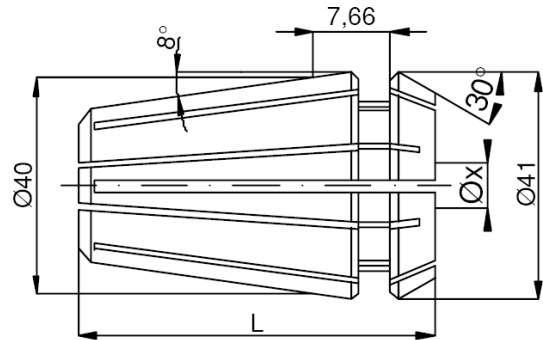
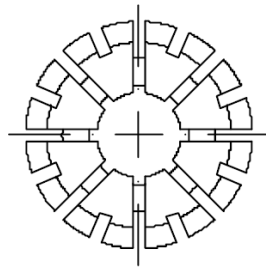


NOTE					
Øx mm Δ mm Inch" (*) STM p. 39	foro tondo capacità chiusura nominale extra SET SET metrico	roundbores range nominal clamping extra SET metric SET	RunderBohrung SpannBereich nominal Blockierung extraSätze MetriKSätze	alésage rond capacité nominal blocage extra SET SET metrique	agujero redondo capacidad nominal bloqueo extra SET SET metrico



to STANDARD

**ERT 40 DIN 6499/B
NE 472**



Lmm	Øx mm
46	3 - 26
39	27 - 30

Metric Size mm				Metric Size mm			
CODE	Øx mm	Δ mm	inch"	CODE	Øx mm	Δ mm	inch"
26.2140110300	(*) 3.0	-1.0	7/64	26.2140111700	17.0	-1.0	21/32
26.2140110400	4.0	-1.0	1/8	26.2140111800	18.0	-1.0	11/16
26.2140110500	5.0	-1.0	3/16	26.2140111900	19.0	-1.0	3/4
26.2140110600	6.0	-1.0	7/32	26.2140112000	20.0	-1.0	25/32
26.2140110700	7.0	-1.0	1/4	26.2140112100	21.0	-1.0	13/16
26.2140110800	8.0	-1.0	5/16	26.2140112200	22.0	-1.0	27/32
26.2140110900	9.0	-1.0	11/32	26.2140112300	23.0	-1.0	7/8
26.2140111000	10.0	-1.0	3/8	26.2140112400	24.0	-1.0	15/16
26.2140111100	11.0	-1.0	7/16	26.2140112500	25.0	-1.0	32/32
26.2140111200	12.0	-1.0	15/32	26.2140112600	26.0	-1.0	1"
26.2140111300	13.0	-1.0	1/2	26.2140112700	(*) 27.0	-1.0	1" 1/16
26.2140111400	14.0	-1.0	17/32	26.2140112800	(*) 28.0	-1.0	1" 3/32
26.2140111500	15.0	-1.0	9/16	26.2140112900	(*) 29.0	-1.0	1" 1/8
26.2140111600	16.0	-1.0	5/8	26.2140113000	(*) 30.0	-1.0	1" 5/52

Inch" Size nominal				Inch" Size nominal			
CODE	inch"	Δ mm		CODE	inch"	Δ mm	
31.2240.00104	1/4	0		31.2240.00304	3/4	0	
31.2240.00308	3/8	0		31.2240.00100	1"	0	
31.2240.00102	1/2	0					