

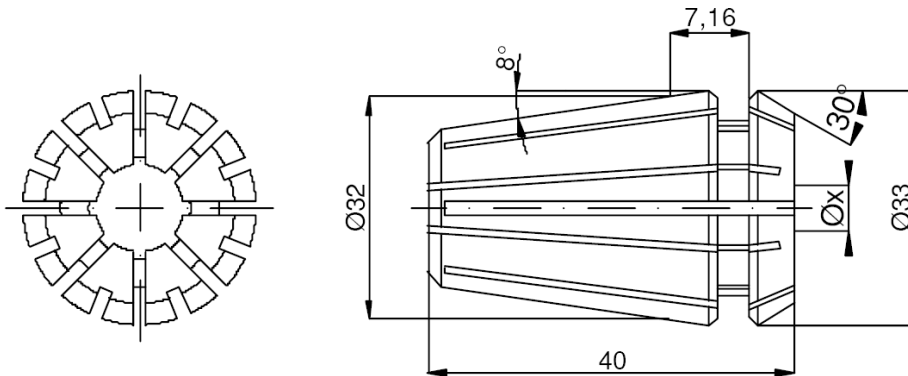


NOTE					
Øx mm Δ mm Inch" (•) STM p. 39	foro tondo capacità chiusura nominale extra SET SET metrico	roundbores range nominal clamping extra SET metric SET	RunderBohrung SpannBereich nominal Blockierung extraSätze Metriksätze	alésage rond capacité nominal blocage extra SET SET metrique	agujero redondo capacidad nominal bloqueo extra SET SET metrico



to STANDARD

ERT 32 DIN 6499/B
NE 470



Metric Size mm				Metric Size mm			
CODE	Øx mm	Δ mm	inch"	CODE	Øx mm	Δ mm	inch"
26.2132110250	(•) 2.5	-0.5	3/32	26.2132111200	12.0	-1.0	15/32
26.2132110300	3.0	-1.0	7/64	26.2132111300	13.0	-1.0	1/2
26.2132110400	4.0	-1.0	1/8	26.2132111400	14.0	-1.0	17/32
26.2132110500	5.0	-1.0	3/16	26.2132111500	15.0	-1.0	9/16
26.2132110600	6.0	-1.0	7/32	26.2132111600	16.0	-1.0	5/8
26.2132110700	7.0	-1.0	1/4	26.2132111700	17.0	-1.0	21/32
26.2132110800	8.0	-1.0	5/16	26.2132111800	18.0	-1.0	11/16
26.2132110900	9.0	-1.0	11/32	26.2132111900	19.0	-1.0	3/4
26.2132111000	10.0	-1.0	3/8	26.2132112000	20.0	-1.0	25/32
26.2132111100	11.0	-1.0	7/16				

Inch" Size nominal				Inch" Size nominal			
CODE	inch"	Δ mm		CODE	inch"	Δ mm	
31.2232.00104	1/4	0		31.2232.00102	1/2	0	
31.2232.00308	3/8	0		31.2232.00304	3/4	0	