

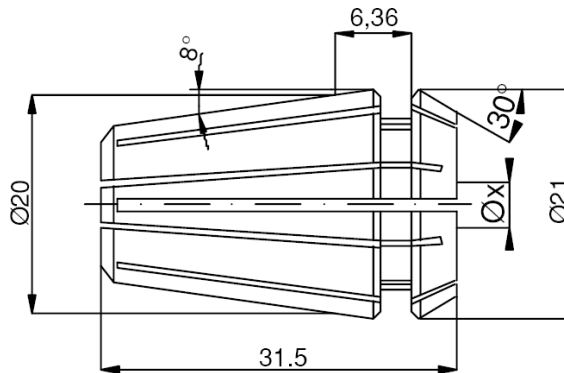
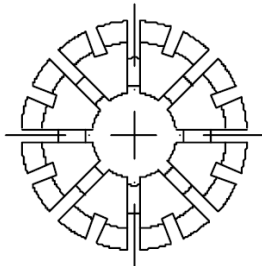


NOTE					
Øx mm Δ mm Inch" (*) STM p. 39	foro tondo capacità chiusura nominale extra SET SET metrico	roundbores range nominal clamping extra SET metric SET	RunderBohrung SpannBereich nominal Blockierung extraSätze Metriksätze	alésage rond capacité nominal blocage extra SET SET metrique	agujero redondo capacidad nominal bloqueo extra SET SET metrico



to STANDARD

ERT 20 DIN 6499/B
NE 428



Metric Size mm				Metric Size mm			
CODE	Øx mm	Δ mm	inch"	CODE	Øx mm	Δ mm	inch"
26.2120110100	(*) 1.0	-0.5	1/32	26.2120110800	8.0	-1.0	5/16
26.2120110200	2.0	-1.0	1/16	26.2120110900	9.0	-1.0	11/32
26.2120110300	3.0	-1.0	7/64	26.2120111000	10.0	-1.0	3/8
26.2120110400	4.0	-1.0	1/8	26.2120111100	11.0	-1.0	7/16
26.2120110500	5.0	-1.0	3/16	26.2120111200	12.0	-1.0	15/32
26.2120110600	6.0	-1.0	7/32	26.2120111300	13.0	-1.0	1/2
26.2120110700	7.0	-1.0	1/4				

Inch" Size nominal				Inch" Size nominal			
CODE	inch"	Δ mm		CODE	inch"	Δ mm	
31.2220.00104	1/4	0		31.2220.00102	1/2	0	
31.2220.00308	3/8	0					