

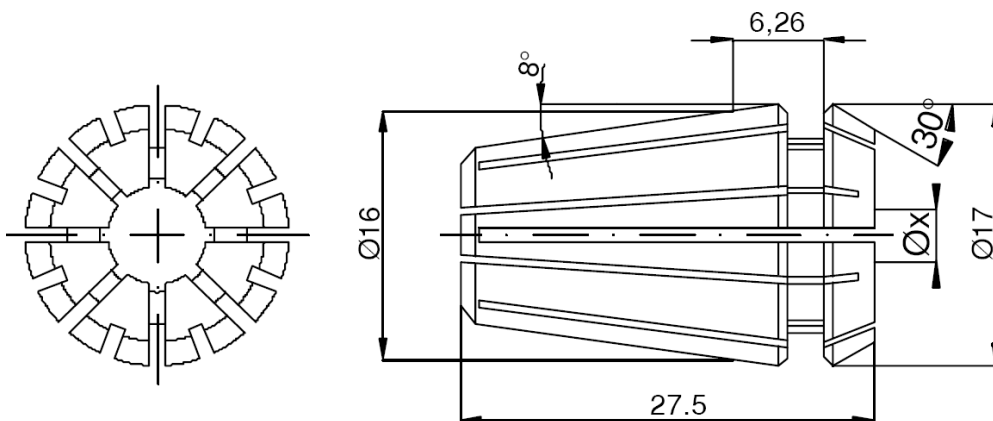


NOTE					
<b>Øx mm</b> <b>Δ mm</b> <b>Inch"</b> <b>(•)</b> <b>STM p. 39</b>	foro tondo capacità chiusura nominale extra SET SET metrico	roundbores range nominal clamping extra SET metric SET	RunderBohrung SpannBereich nominal Blockierung extraSätze Metriksätze	alésage rond capacité nominal blocage extra SET SET metrique	agujero redondo capacidad nominal bloqueo extra SET SET metrico



to STANDARD

**ERT 16** DIN 6499/B  
NE 426



Metric Size mm				Inch" Size nominal		
CODE	Øx mm	Δ mm	inch"	CODE	inch"	Δ mm
26.2116110100	(•) 1.0	-0.5	1/32	31.2216.00104	1/4	0
26.2116110200	2.0	-1.0	1/16	31.2216.00308	3/8	0
26.2116110300	3.0	-1.0	7/64			
26.2116110400	4.0	-1.0	1/8			
26.2116110500	5.0	-1.0	3/16			
26.2116110600	6.0	-1.0	7/32			
26.2116110700	7.0	-1.0	1/4			
26.2116110800	8.0	-1.0	5/16			
26.2116110900	9.0	-1.0	11/32			
26.2116111000	10.0	-1.0	3/8			