



Nuova **Bellodi TIBI**
MADE IN BELLODI

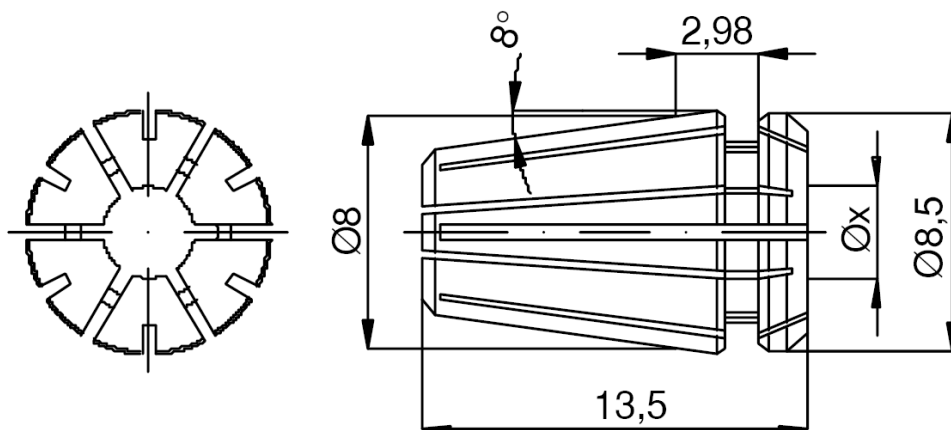
ERT DIN 6499/B



to STANDARD

NOTE					
Øx mm Δ mm STM p. 39	foro tondo capacità SET metrico	roundbores range metric SET	Runderbohrung Spannbereich metricSätze	alésage rond capacité SET metrique	agujero redondo capacidad SET metrico

ERT8 DIN 6499/B
NE 4260



Metric Size mm			
CODE	Øx mm	Δ mm	inch"
26.2108110100	1.0	-05	1/32
26.2108110150	1.5	-05	1/16
26.2108110200	2.0	-05	5/64
26.2108110250	2.5	-05	3/32
26.2108110300	3.0	-05	7/64
26.2108110350	3.5	-05	1/8
26.2108110400	4.0	-05	5/32
26.2108110450	4.5	-05	11/64
26.2108110500	5.0	-05	3/16