



Nuova **Bellodi TIBI**
MADE IN BELLODI

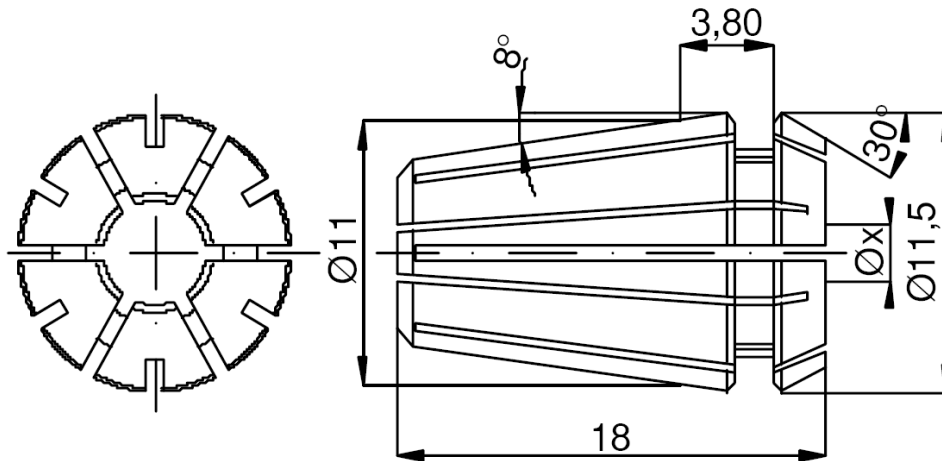
ERT DIN 6499/B



to STANDARD

NOTE					
Øx mm Δ mm Inch" STM p. 39	foro tondo capacità chiusura nominale SET metrico	roundbores range nominal clamping metric SET	Runderbohrung Spannbereich nominal Blockierung metricSätze	alésage rond capacité nominal blocage SET metrique	agujero redondo capacitat nominal bloqueo SET metrico

ERT11 DIN 6499/B
NE 4009



Metric Size mm				Inch" Size nominal		
CODE	Øx mm	Δ mm	inch"	CODE	inch"	Δ mm
26.2111110100	1.0	-05	1/32	31.2211.00104	1/4	0
26.2111110150	1.5	-05	1/16			
26.2111110200	2.0	-05	5/64			
26.2111110250	2.5	-05	3/32			
26.2111110300	3.0	-05	7/64			
26.2111110350	3.5	-05	1/8			
26.2111110400	4.0	-05	5/32			
26.2111110450	4.5	-05	11/64			
26.2111110500	5.0	-05	3/16			
26.2111110550	5.5	-05	7/32			
26.2111110600	6.0	-05	15/64			
26.2111110650	6.5	-05	1/4			
26.2111110700	7.0	-05	17/64			