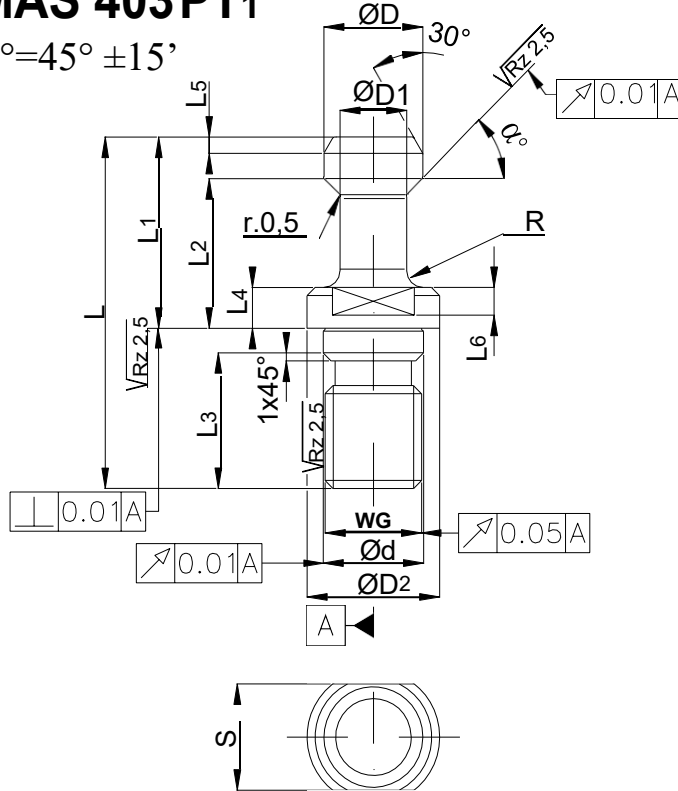


NOTE					
.ps	Codolo	Pull studs	Anzugsbolzen	Tirettes	Tirante de tornillo
.WG	Filetto tenero	Tender thread	weiches Gewinde	Filet tendre	Rosca morbido
HV 670 ±40	Durezza Vickers	Hardness Vickers	Härte Vickers	Dureté Vickers	Dureza Vickers
HRC 58±2	Durezza Rockwell	Hardness Rockwell	Härte Rockwell	Dureté Rockwell	Dureza Rockwell

MAS 403PT1

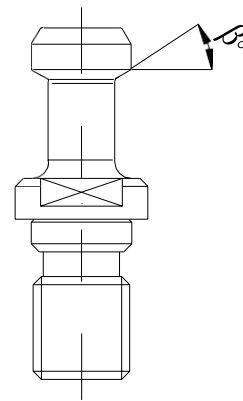
$\alpha^\circ = 45^\circ \pm 15'$



Form 1

MAS 403 PT2 -1982

$\beta^\circ = 30^\circ \pm 15'$



Form 2

ps No	FORM	CODE	ØD	ØD1	ØD2	Ød	WG	L	L1	L2	L3	L4	L5	L6	R	S
			+0 -0.1 mm	+0 -0.1 mm	+0 -0.2 mm	h 7 mm	mm	+0 -0.1 mm	+0 -0.1 mm	+0 -0.1 mm	+0.1 -0 -0.1 mm	mm	mm	mm	mm	mm
P30 T 1	1	44.53.2969	11	7	16.5	12.5	M 12	43	23	18	16	5	2.5	3.5	2	13
P 30 T 2	2	44.54.2970														
P 40 T 1	1	44.53.2971	15	10	23.0	17.0	M 16	60	35	28	20	6	4.0	4.0	3	19
P40 T 2	2	44.54.2972														
P 45 T 1	1	44.53.2973	19	14	31.0	21.0	M 20	70	40	31	24	8	5.0	6.0	4	24
P 45 T 2	2	44.54.2974														
P 50 T 1	1	44.53.2975	23	17	38.0	25.0	M 24	85	45	35	32	10	5.0	8.0	5	30
P 50 T 2	2	44.54.2976														
P 60 T 1	1	44.53.2979	32	24	56.0	31.0	M 30	115	65	53	40	14	7.0	11	5	46
P60 T 2	2	44.54.2980														