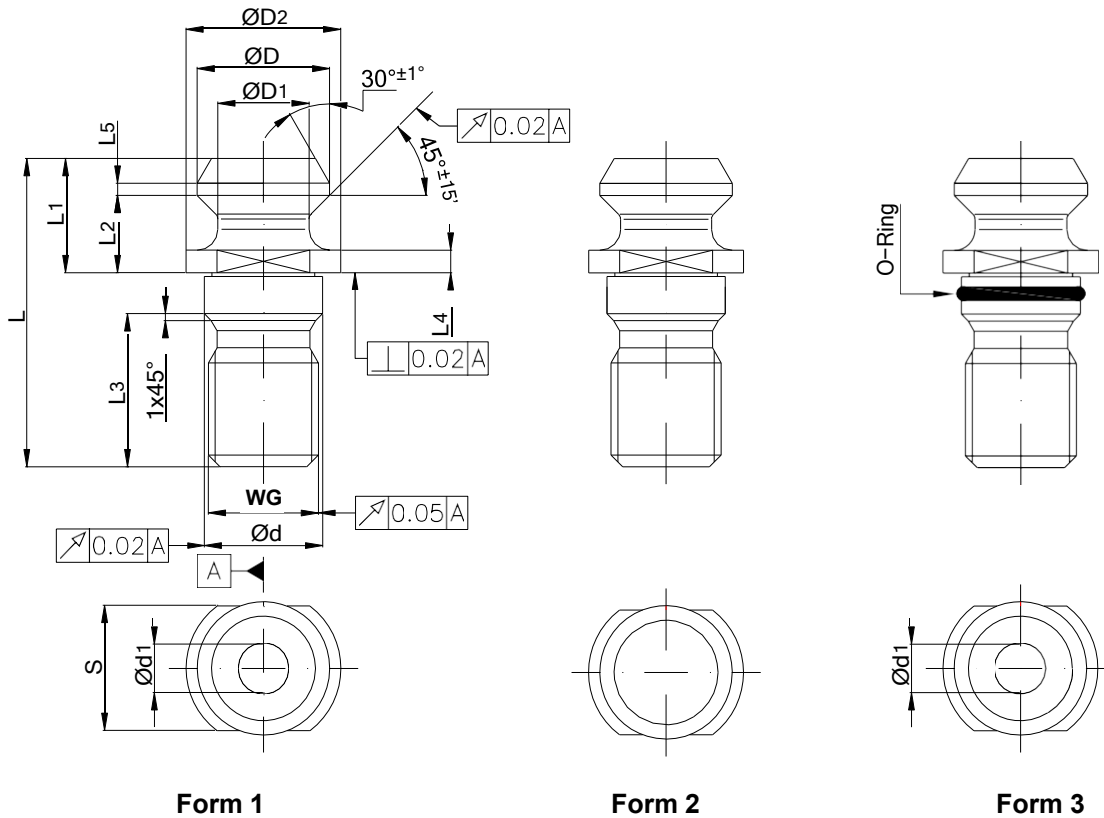




NOTE					
.ps	Codolo	Pull studs	Anzugsbolzen	Tirettes	Tirante de tornillo
.WG	Filetto tenero	Tender thread	weiches Gewinde	Filet tendre	Rosca morbido
HV 670 ±40	Durezza Vickers	Hardness Vickers	Härte Vickers	Dureté Vickers	Dureza Vickers
HRC 58±2	Durezza Rockwell	Hardness Rockwell	Härte Rockwell	Dureté Rockwell	Dureza Rockwell

ISO 7388/2 B



ps No	FORM	CODE	ØD	ØD1	Ø D2	Ød	WG	Ød1	L	L 1	L 2	L 3	L 4	L 5	S	
			+0 -0.3 mm	+0 -0.3 mm	mm	h 6 mm	6g mm	+0.3 -0 mm	mm	+0 -0.3 mm	+0 -0.3 mm	mm	+0 -0.5 mm	+0 -0.5 mm		mm
40	1	42.58.2934	18.95	12.95	22.5	17	M16	7.35	44.5	16.40	11.15	21.10	3.25	1.75	18.0	
40	2	42.59.2939	18.95	12.95	22.5	+0.0 -1.0	M16	-	44.5	16.40	11.15	21.10	3.25	1.75	18.0	+0.00 -0.33
40	3	42.60.2943	18.95	12.95	22.5	17	M16	7.35	44.5	16.40	11.15	21.10	3.25	1.75	18.0	
45	1	42.58.2935	24.05	16.30	30.0	21	M20	9.25	56.0	20.95	14.85	27.05	4.25	2.25	24.0	
45	2	42.59.2940	24.05	16.30	30.0	+0.0 -2.0	M20	-	56.0	20.95	14.85	27.05	4.25	2.25	24.0	+0.00 -0.39
45	3	42.60.2944	24.05	16.30	30.0	21	M20	9.25	56.0	20.95	14.85	27.05	4.25	2.25	24.0	
50	1	42.58.2936	29.10	19.60	37.0	25	M24	11.55	65.5	25.55	17.95	29.95	5.25	2.75	30.0	
50	2	42.59.2941	29.10	19.60	37.0	+0.0 -2.0	M24	-	65.5	25.55	17.95	29.95	5.25	2.75	30.0	+0.00 -0.65
50	3	42.60.2945	29.10	19.60	37.0	25	M24	11.55	65.5	25.55	17.95	29.95	5.25	2.75	30.0	