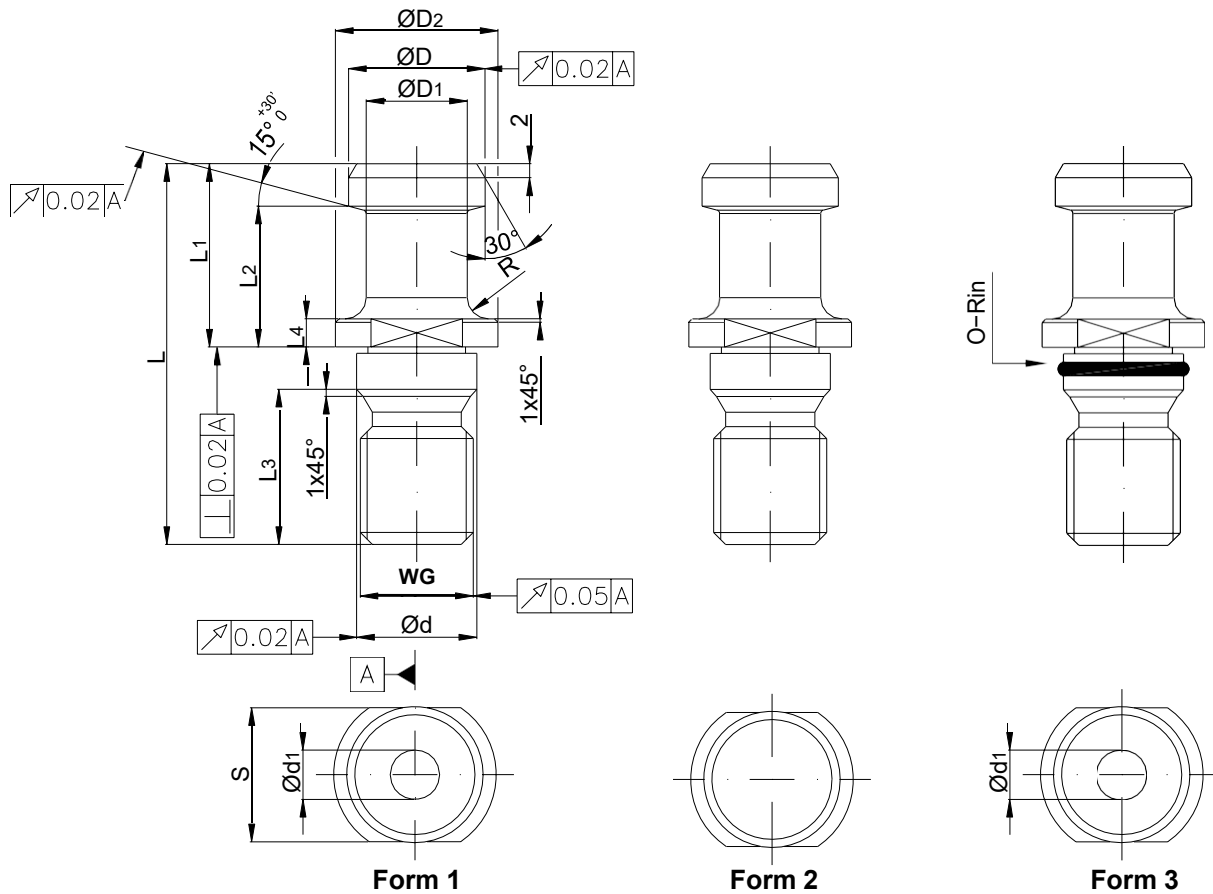


| NOTE |  |  |  |  |  |
|-------------------|---|---|---|---|---|
| .ps | Codolo | Pull studs | Anzugsbolzen | Tirettes | Tirante de tornillo |
| .WG | Filetto tenero | Tender thread | weiches Gewinde | Filet tendre | Rosca morbido |
| HV 670 ±40 | Durezza Vickers | Hardness Vickers | Härte Vickers | Dureté Vickers | Dureza Vickers |
| HRC 58±2 | Durezza Rockwell | Hardness Rockwell | Härte Rockwell | Dureté Rockwell | Dureza Rockwell |

ISO 7388/2 A



| No | FORM | CODE | $\varnothing D$ | $\varnothing D_1$ | $\varnothing D_2$ | $\varnothing d$ | WG | $\varnothing d_1$ | L | L 1 | L 2 | L 3 | L 4 | R | S |
|----|------|------------|------------------|-------------------|-------------------|-----------------|----------|-------------------|----|------------|------------|-----|-----|----|----|
| | | | +0 -0.1 mm | +0 -0.1 mm | +0 -0.2 mm | h 6 mm | 6g mm | +0.1 -0 mm | mm | ±0.1 mm | ±0.1 mm | mm | mm | mm | mm |
| 40 | 1 | 42.55.2921 | 19 | 14 | 23 | 17 | M16 | 7.00 | 54 | 26 | 20 | 21 | 4 | 3 | 19 |
| 40 | 2 | 42.56.2924 | 19 | 14 | 23 | 17 | M16 | - | 54 | 26 | 20 | 21 | 4 | 3 | 19 |
| 40 | 3 | 42.57.2928 | 19 | 14 | 23 | 17 | M16 | 7.00 | 54 | 26 | 20 | 21 | 4 | 3 | 19 |
| 45 | 1 | 42.55.2922 | 23 | 17 | 30 | 21 | M20 | 9.50 | 65 | 30 | 23 | 27 | 5 | 4 | 24 |
| 45 | 2 | 42.56.2925 | 23 | 17 | 30 | 21 | M20 | - | 65 | 30 | 23 | 27 | 5 | 4 | 24 |
| 45 | 3 | 42.57.2929 | 23 | 17 | 30 | 21 | M20 | 9.50 | 65 | 30 | 23 | 27 | 5 | 4 | 24 |
| 50 | 1 | 42.55.2923 | 28 | 21 | 36 | 25 | M24 | 11.50 | 74 | 34 | 25 | 30 | 5 | 5 | 30 |
| 50 | 2 | 42.56.2926 | 28 | 21 | 36 | 25 | M24 | - | 74 | 34 | 25 | 30 | 5 | 5 | 30 |
| 50 | 3 | 42.57.2931 | 28 | 21 | 36 | 25 | M24 | 11.50 | 74 | 34 | 25 | 30 | 5 | 5 | 30 |