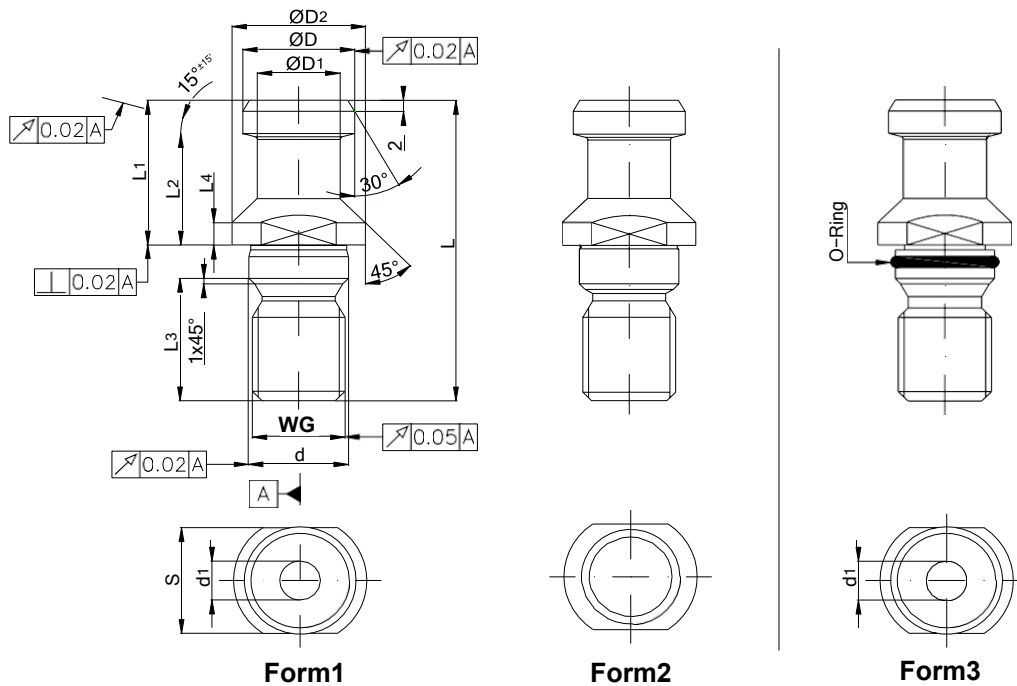


NOTE					
.ps	Codolo	Pull studs	Anzugsbolzen	Tirettes	Tirante de tornillo
.WG	Filetto tenero	Tender thread	weiches Gewinde	Filet tendre	Rosca morbido
HV 670 ±40	Durezza Vickers	Hardness Vickers	Härte Vickers	Dureté Vickers	Dureza Vickers
HRC 58±2	Durezza Rockwell	Hardness Rockwell	Härte Rockwell	Dureté Rockwell	Dureza Rockwell

DIN 69872 A



ps No	FORM	CODE	ØD	ØD1	ØD2	Ød	WG 6g	Ød1	L	L 1	L 2	L 3	L 4	S
			f 7 mm	+ 0 -0.1 mm	+ 0 -0.2 mm	f 7 mm		+0.1 - 0 mm						
30	2	42.53.2905	13	9	17	13	M 12	-	44	24	19	15	4	14
40	1	42.52.2901	19	14	23	17	M 16	7.0	54	26	20	21	4	19
40	2	42.53.2906	19	14	23	17	M 16	-	54	26	20	21	4	19
40	3	42.54.2914	19	14	23	17	M 16	7.0	54	26	20	21	4	19
45	1	42.52.2902	23	17	30	21	M 20	9.5	65	30	23	27	5	24
45	2	42.53.2907	23	17	30	21	M 20	-	65	30	23	27	5	24
45	3	42.54.2915	23	17	30	21	M 20	9.5	65	30	23	27	5	24
50/55	1	42.52.2903	28	21	36	25	M 24	11.5	74	34	25	30	5	30
50/55	2	42.53.2908	28	21	36	25	M 24	-	74	34	25	30	5	30
50/55	3	42.54.2916	28	21	36	25	M 24	11.5	74	34	25	30	5	30
60	1	42.52.2904	40	30	52	32	M 30	14.0	90	40	30	38	6	46
60	2	42.53.2909	40	30	52	32	M 30	-	90	40	30	38	6	46